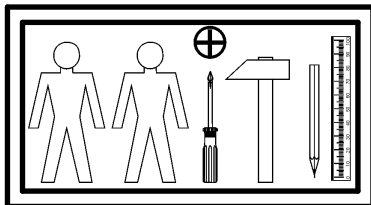
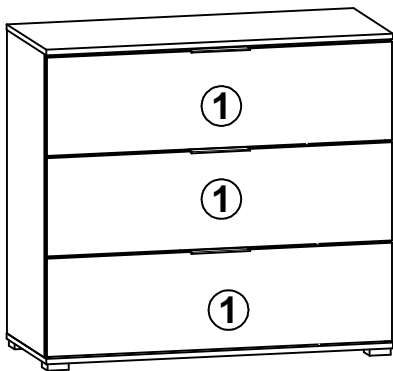
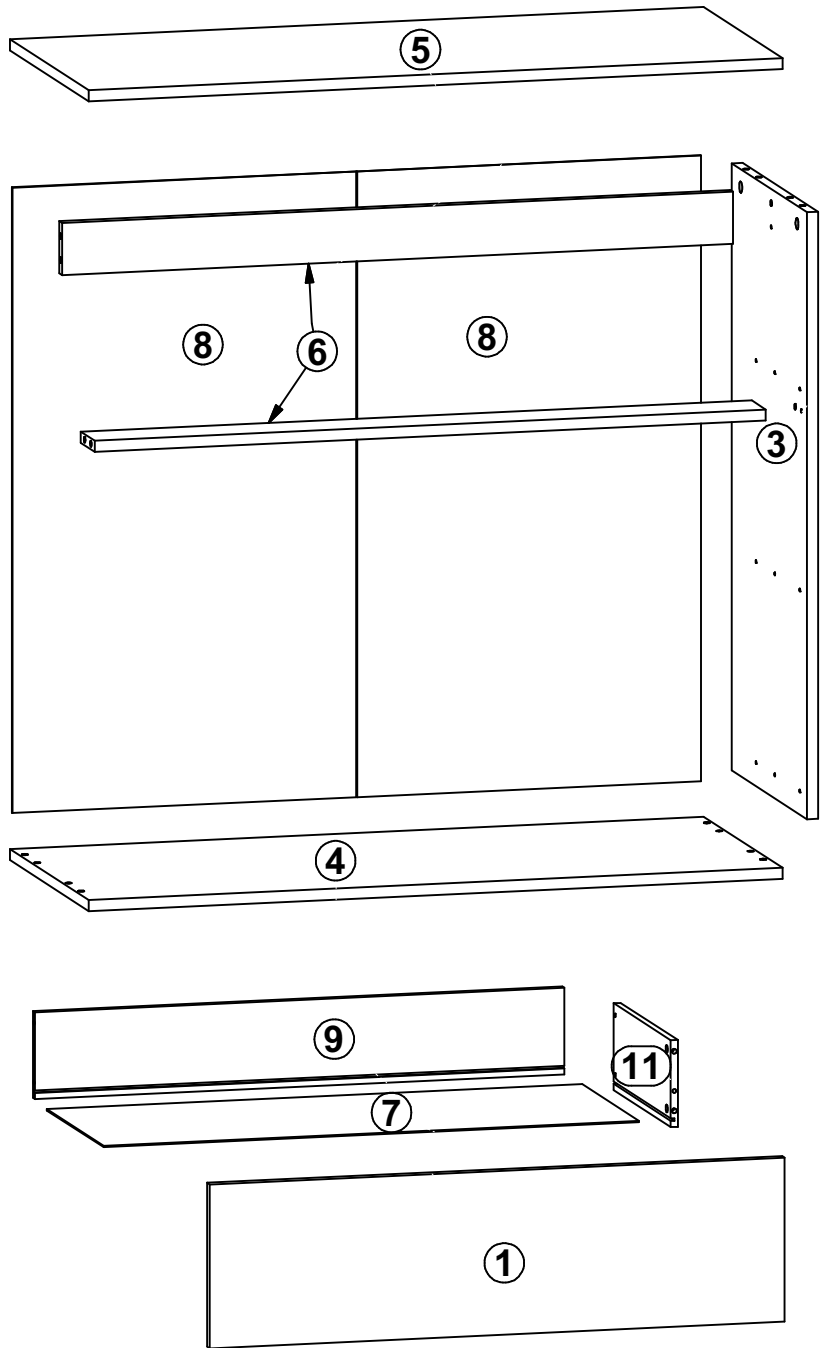


**A**

# ZLATA

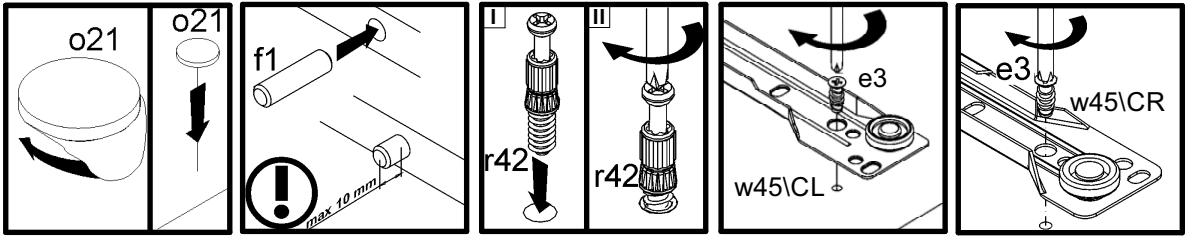
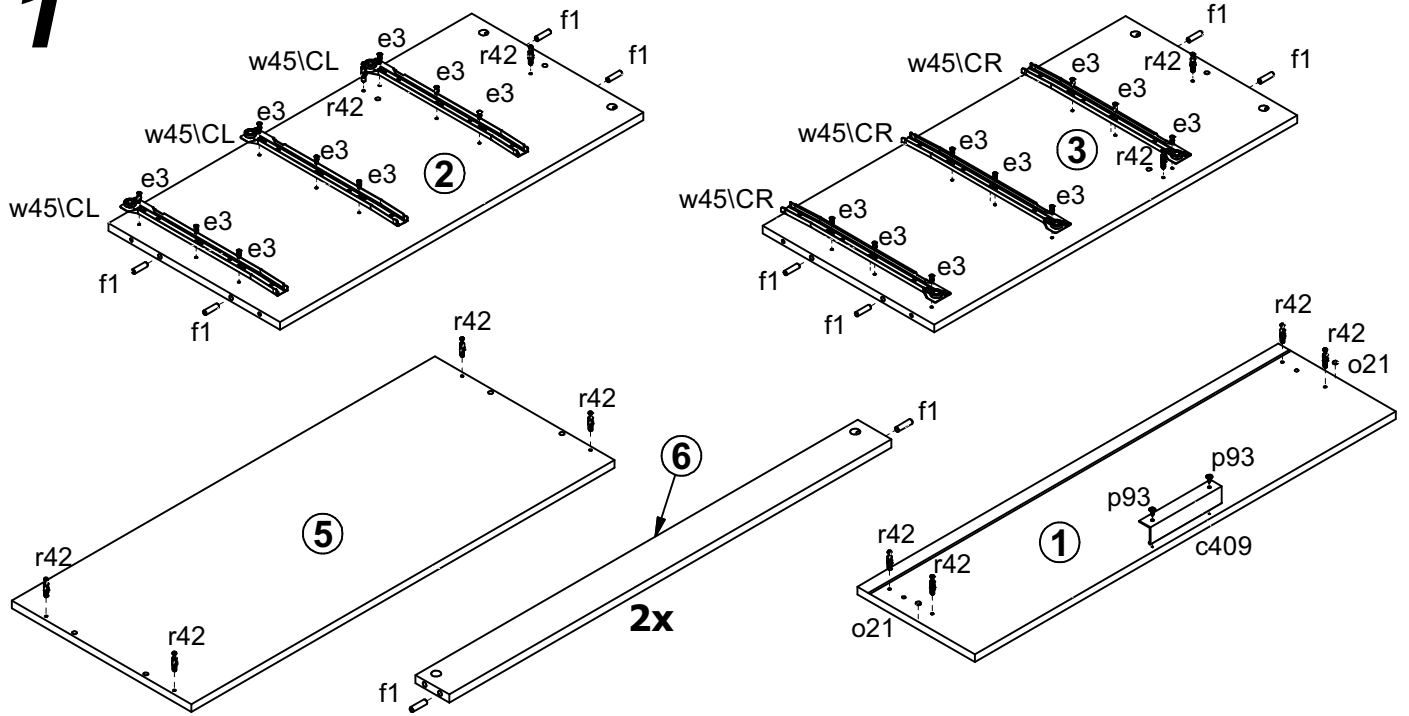
**KOM3S**

A	B	C	D	
1	S383-00004	945	264	2/2
2	S383-11003	815	385	1/2
3	S383-11004	815	385	1/2
4	S383-22003	950	403	1/2
5	S383-22004	950	403	1/2
6	S383-44004	917	70	1/2
7	S383-99001	870	348	1/2
8	S383-99502	842	471	1/2
9	ZP-5514	860	140	1/2
10	BP-511	350	140	1/2
11	BP-512	350	140	1/2

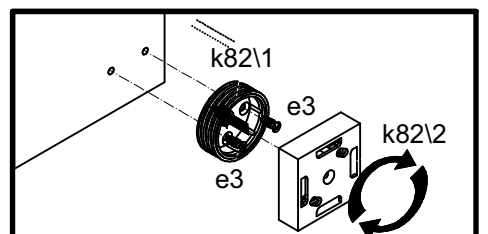
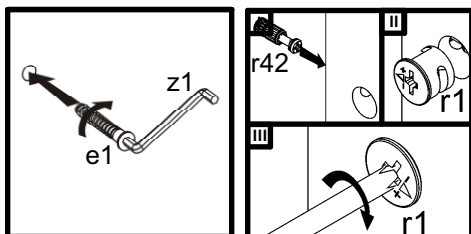
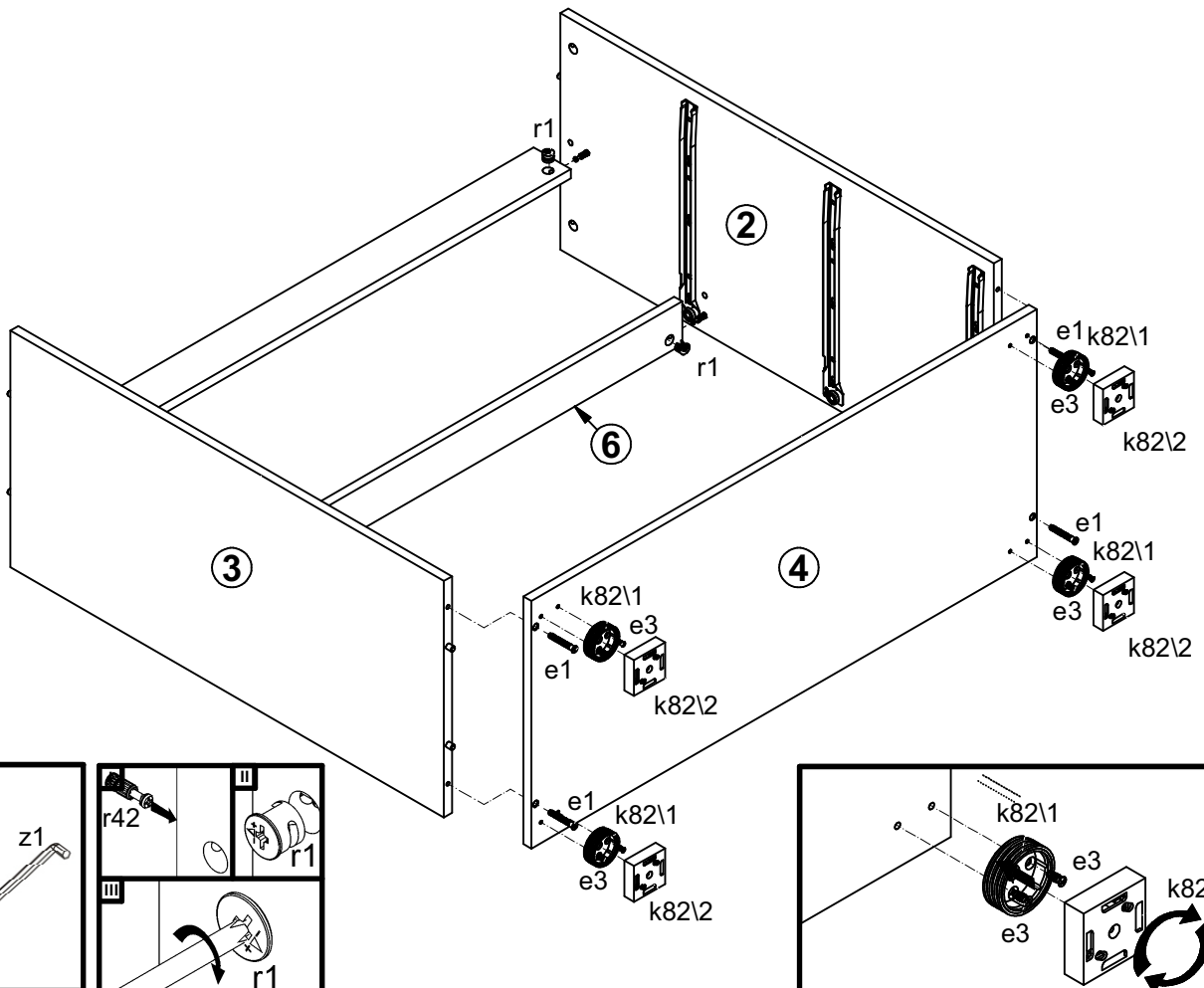


3x 128mm c409	4x Ø7x50 mm e1	12x Ø5x9 mm e19	26x Ø6x13 mm e3	12x Ø8x30 mm f1	12x Ø6.5x40 mm f25	6x Ø6x30 mm f9	4x k82\1	4x k82\2
30x l1	6x Ø3.5x16 mm p25	6x Ø4x13 mm p93	20x Ø15x12 mm #16 r1	6x silikon o21	20x 20\11 r42	3x 333 mm t19	3x 350 mm w45\CL	3x 350 mm w45\CR
3x 350 mm w45\DL	3x 350 mm w45\DR	1x 4 mm z1						
							1x n26\1	1x Ø3.5x16 mm p38

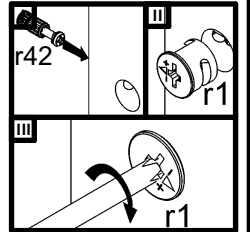
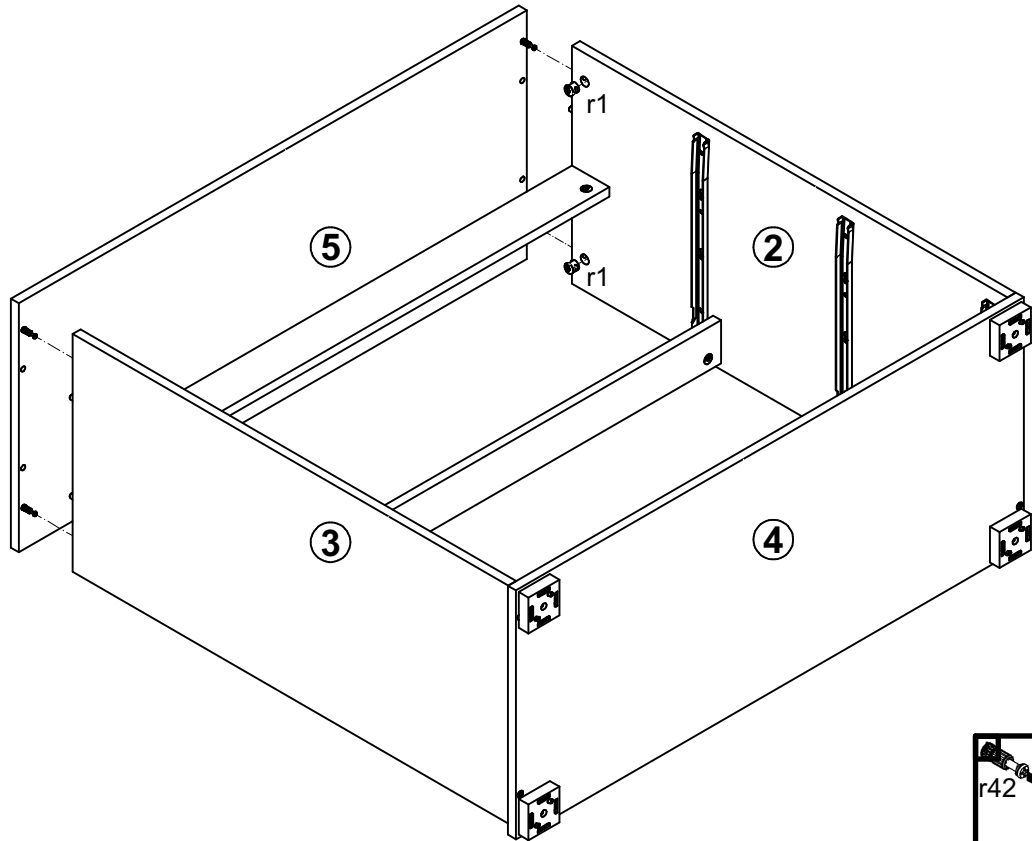
# 1



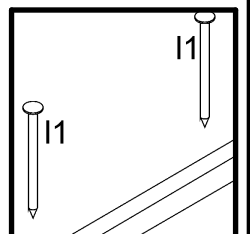
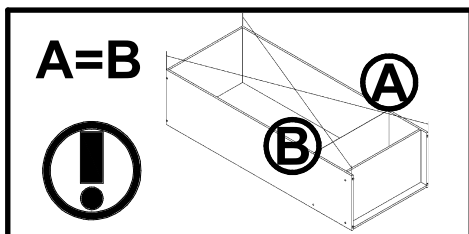
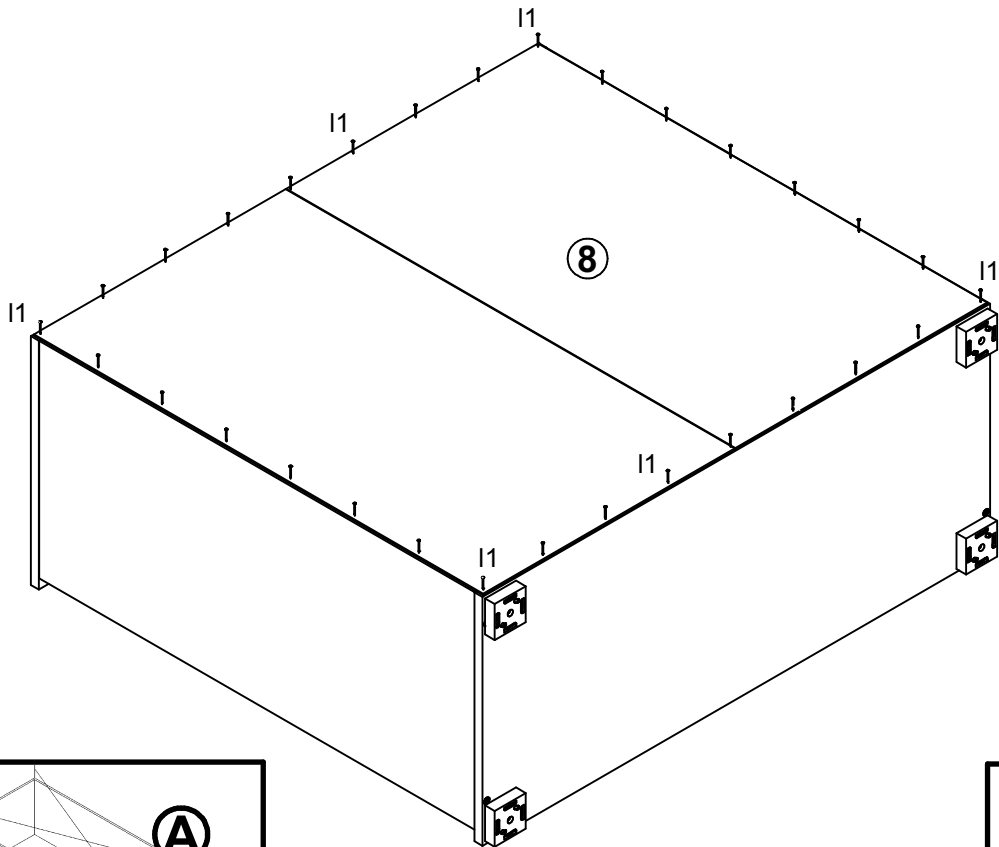
# 2



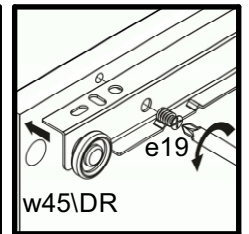
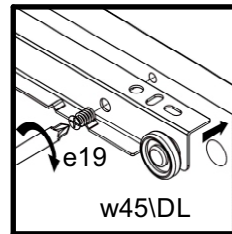
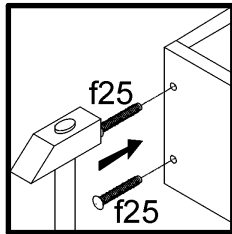
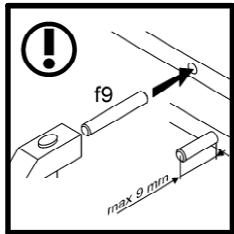
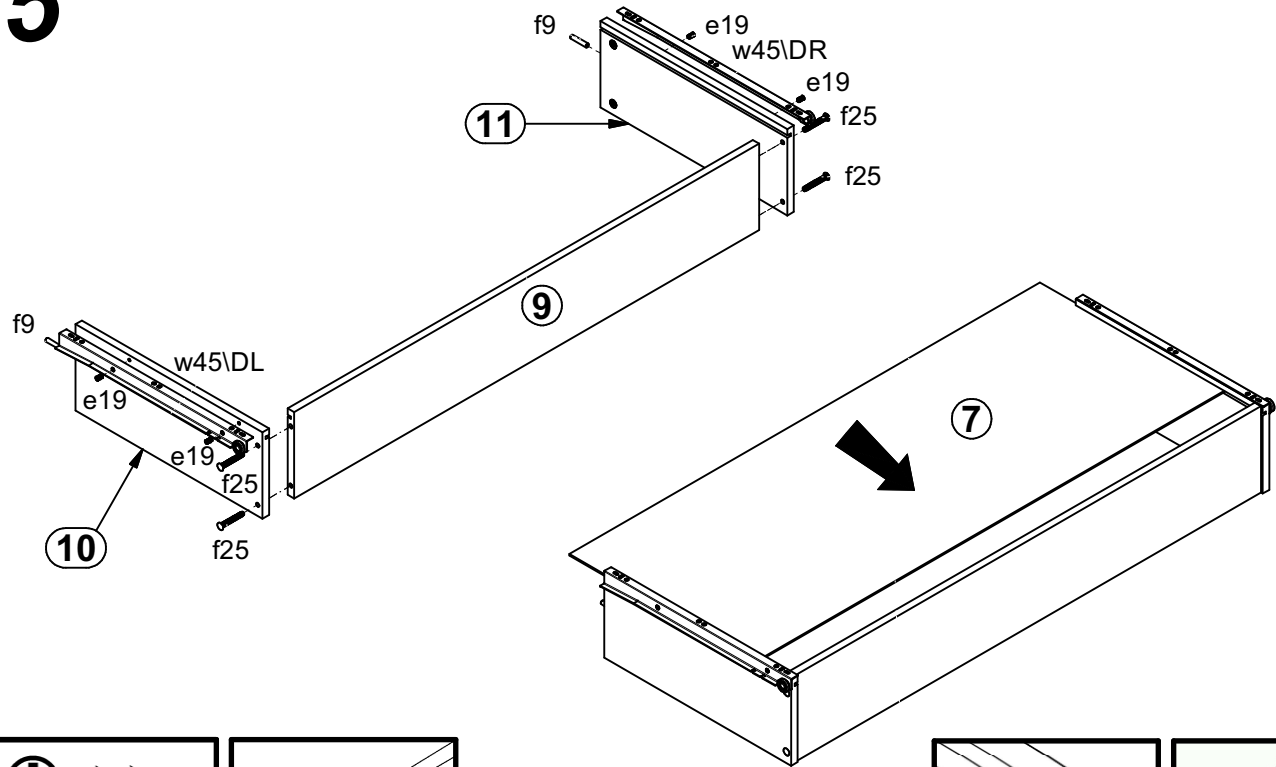
# 3



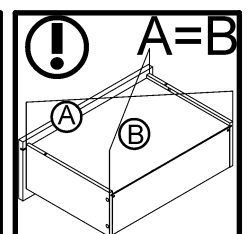
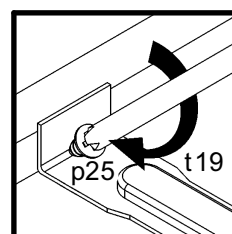
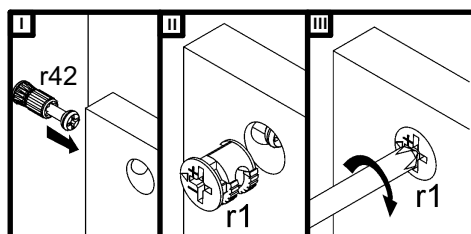
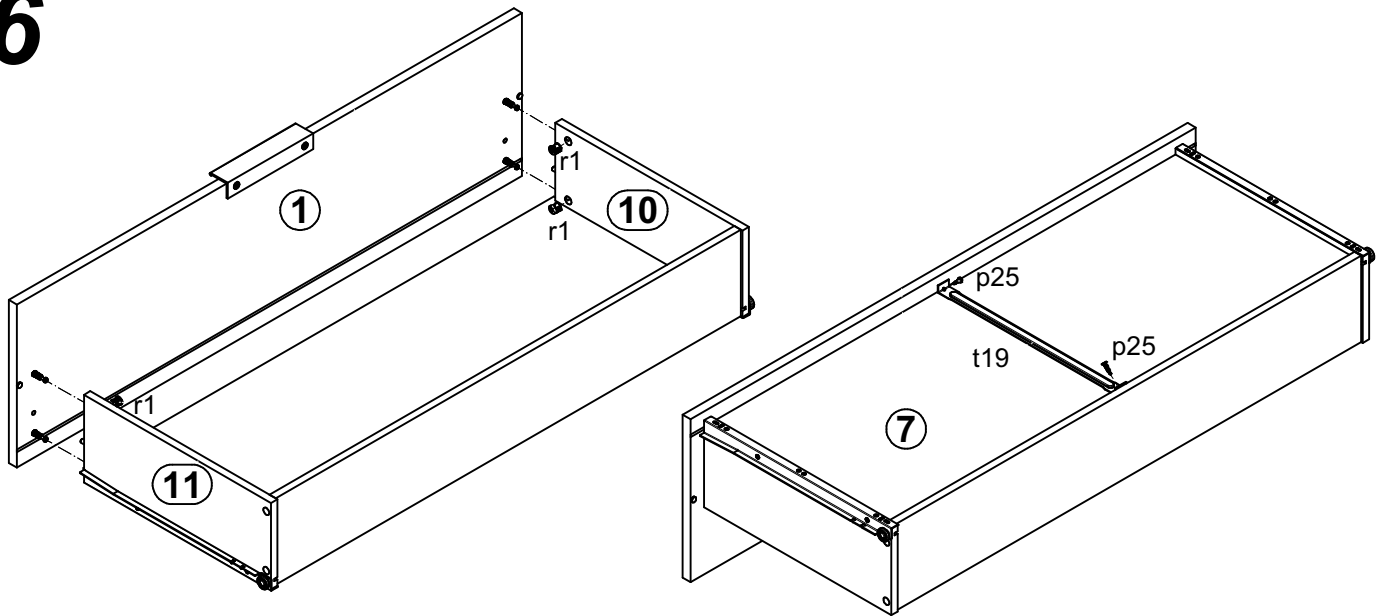
# 4



# 5



# 6



7

